

# Jeremiah

LIGHTING **by Craftmade**

## ASSEMBLY & INSTALLATION INSTRUCTION FOR #36652

Please read carefully and save these instructions, as you may need them at a later date.

### CAUTION

Turn off the main power at the circuit breaker before installing the fixture, in order to prevent possible shock.

### GENERAL

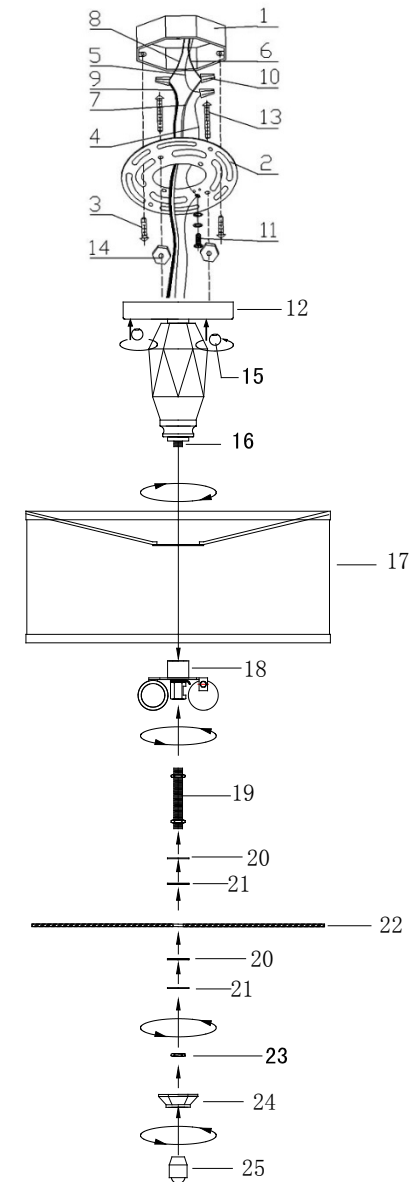
All electrical connections must be in accordance with local and National Electrical Code (N.E.C.) standards. If you are unfamiliar with proper electrical wiring connections obtain the services of a qualified electrician.

Remove the fixture and the mounting package from the box and make sure that no parts are missing by referencing the illustrations on the installation instructions.

### ASSEMBLY AND INSTALLATION

1. At the center of the BACK PLATE(2) there are eight perforated slots. Knock out the set matches your OUTLET BOX (1).
2. Screw the FIXTURE MOUNTING SCREWS (13) into the BACK PLATE (2) and thread the HEX NUTS (14) onto the FIXTURE MOUNTING SCREWS (13), as shown. Secure the position of the FIXTURE MOUNTING SCREWS (13) by tightening the HEX NUTS (14) against the BACK PLATE (2).
3. Carefully pass the power supply (6&8) wires and the SUPPLY GROUND WIRE (5) through the center hole of the BACK PLATE (2). Secure the BACK PLATE (2) to the OUTLET BOX (1) with MOUNTING SCREWS (3).
4. Attach the BLACK SUPPLY WIRE (8) to the SMOOTH (or BLACK) FIXTURE LEAD WIRE (9) by using the WIRE CONNECTOR (10). At the same manner, attach the WHITE SUPPLY WIRE (6) to the RIBBED (or WHITE) FIXTURE LEAD WIRE (7). Loop the FIXTURE GROUND WIRE (4) around the GROUND SCREW (11) of the BACK PLATE (2). (Note: Be sure to provide an extra 3" length of the FIXTURE GROUND WIRE (4) for connection to the SUPPLY GROUND WIRE (5).) Tighten the GROUND SCREW (11). Connect the remaining FIXTURE GROUND WIRE (4) to the SUPPLY GROUND WIRE (5) using a WIRE CONNECTOR (10). Place wiring and connections inside the OUTLET BOX (1).
5. Place the SHADE (17) and the CENTER STEM(16) onto the SOCKET(18).
6. Thread the NIPPLE(19) onto the SOCKET(18), fix with the HEX NUT.
7. Slide the STEEL WASHER(20),RUBBER WASHER(21),GLASS (22), over the NIPPLE(19), secure with the HEX NUT(23). Slide the GLASS COVER(24) over the NIPPLE, secure with the FINIAL(25).
8. Screw light bulbs into the sockets and make sure they do not exceed the maximum wattage specified on the fixture's wattage rating label, **MAXIMUM 60W.**

FIG



- |  |  |                   |
|--|--|-------------------|
| 1. OUTLET BOX                          | 9. SMOOTH (OR BLACK) FIXTURE LEAD WIRE | 17. SHADE         |
| 2. BACK PLATE                          | 10. WIRE CONNECTOR                     | 18. SOCKET        |
| 3. MOUNTING SCREW                      | 11. GROUND SCREW                       | 19. NIPPLE        |
| 4. FIXTURE GROUND WIRE                 | 12. COVER PLATE                        | 20. STEEL WASHER  |
| 5. SUPPLY GROUND WIRE                  | 13. FIXTURE MOUNTING SCREW             | 21. RUBBER WASHER |
| 6. WHITE SUPPLY WIRE                   | 14. HEX NUT                            | 22. GLASS         |
| 7. RIBBED (OR WHITE) FIXTURE LEAD WIRE | 15. DECORATIVE NUT                     | 23. HEX NUT       |
| 8. BLACK SUPPLY WIRE                   | 16. CENTER STEM                        | 24. GLASS COVER   |
|  |  | 25. FINIAL        |