

# ASSEMBLY AND INSTALLATION INSTRUCTIONS FOR

## ITEM #176-8/# 177-8

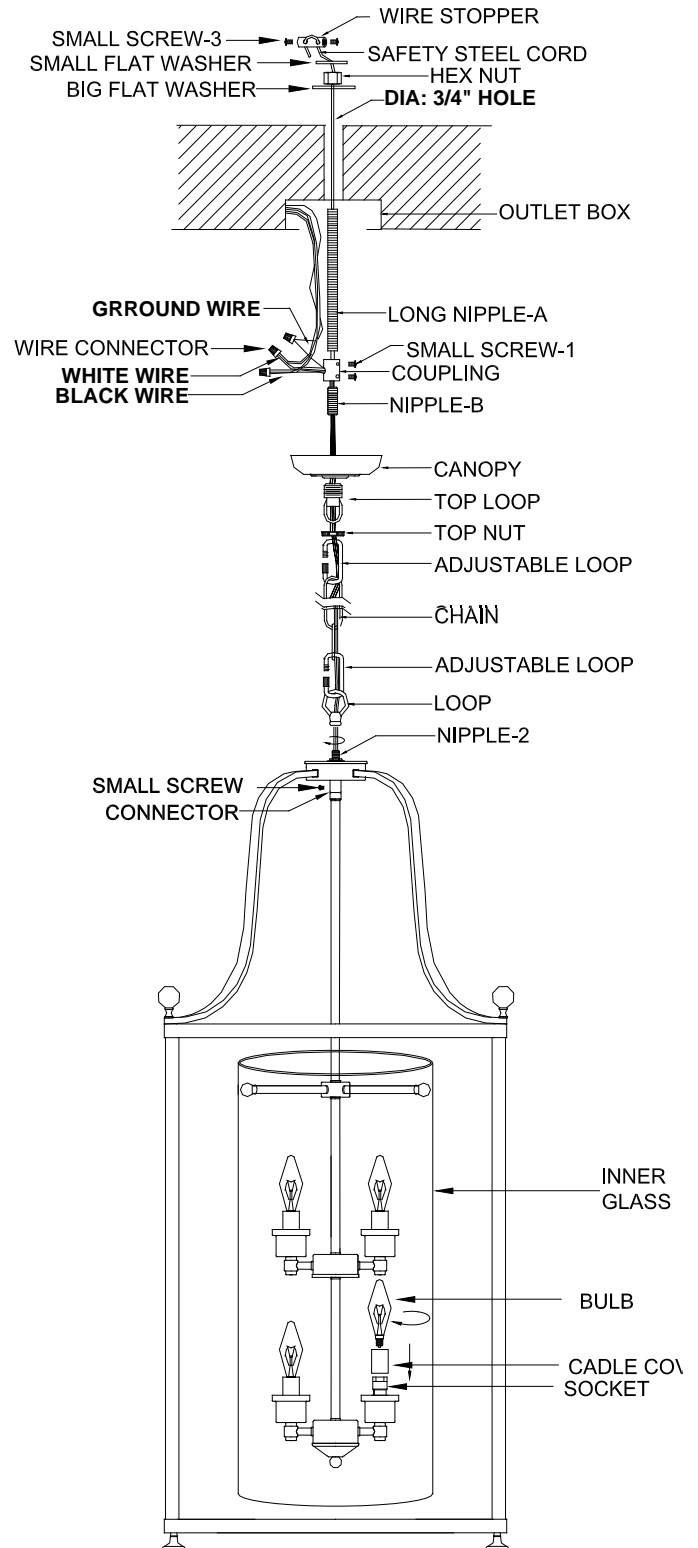
### WARNING:

**TO AVOID RISK OF ELECTRICAL SHOCK, BE SURE TO SHUT OFF POWER WHILE INSTALLING OR SERVICING THIS FIXTURE.**

**NOTE:** Should any difficulty be experienced, please consult a qualified electrician before installing.

### Warning:

Before installing the fixture, please make sure you have followed up the Inner Glass Assembly Instructions to install the Inner Glass to the Central Connector.



### CORD STOPPER

