

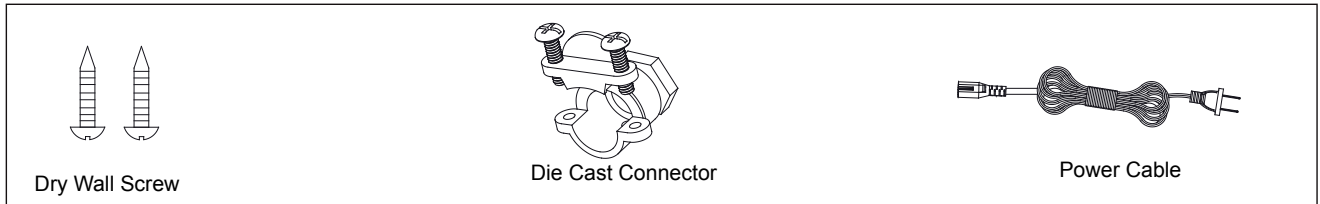
ASSEMBLY AND INSTALLATION INSTRUCTIONS

X0063 / X0064

WARNING: TO AVOID RISK OF ELECTRICAL SHOCK, BE SURE TO SHUT OFF POWER BEFORE INSTALLING OR SERVICING THIS FIXTURE.

NOTE: 1. Before installing, consult local electrical codes for wiring and grounding requirements.
2. READ AND SAVE THESE INSTRUCTIONS.

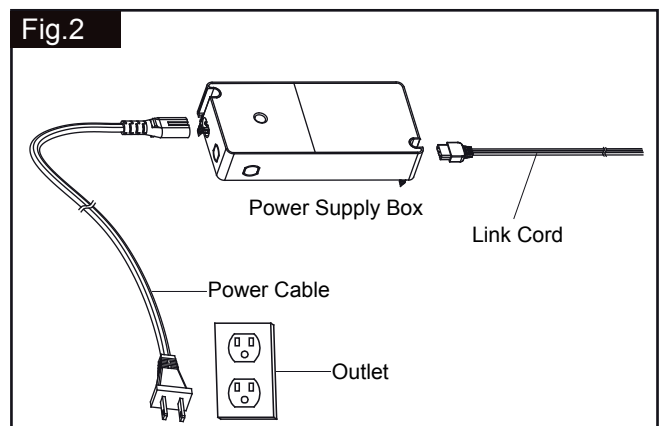
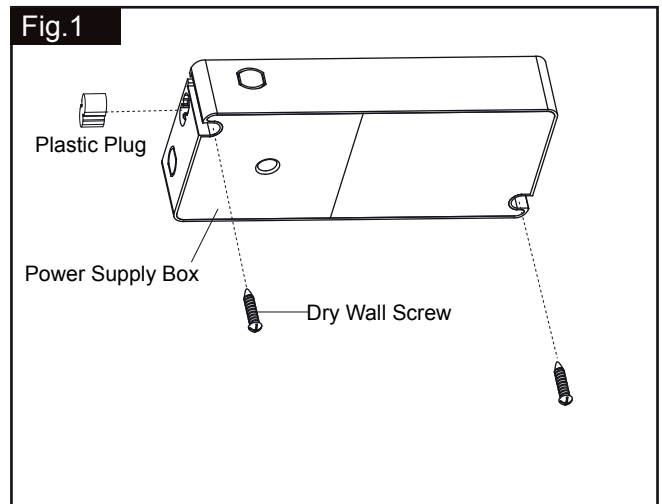
Hardware Package:



This FIXTURE can be mounted in two ways.

A. Installing the fixture with power cable:

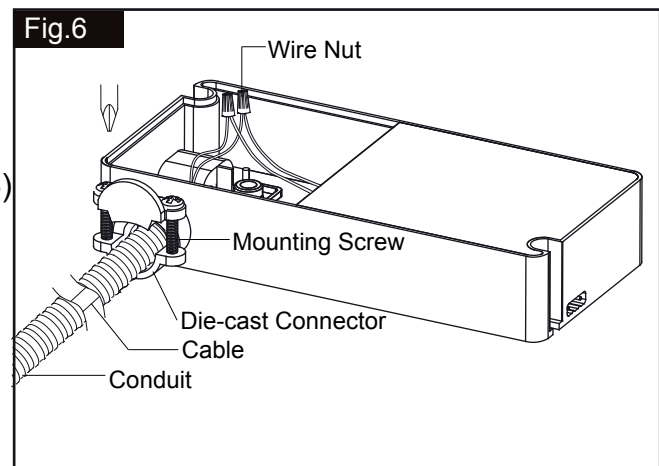
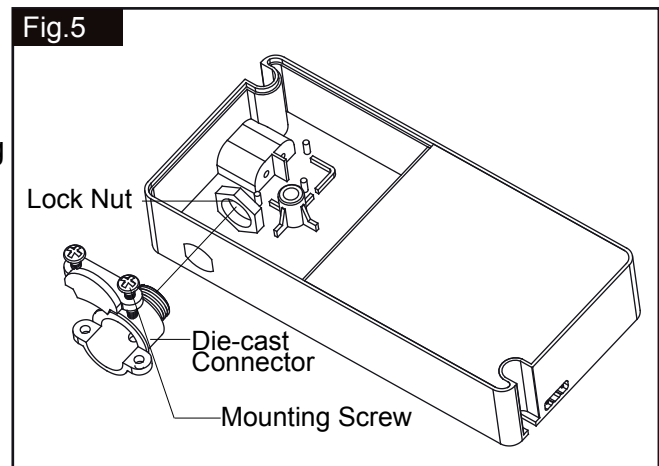
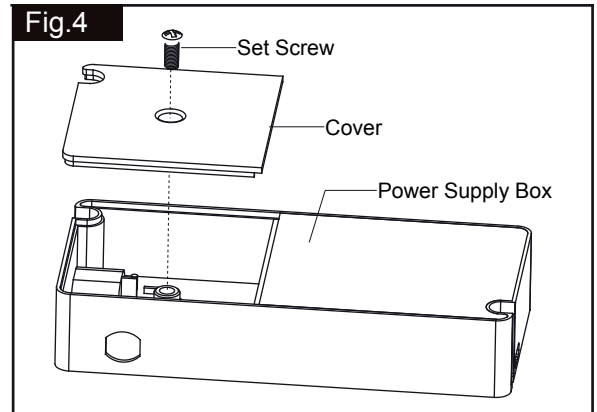
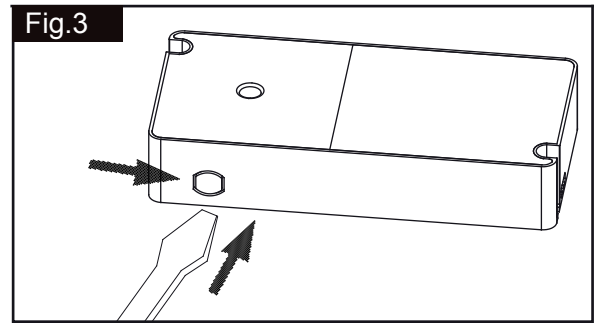
1. Remove the plastic plug from power supply box. (See Fig.1)
2. Find a suitable location to mount the power supply box. The mounting surface should be a minimum of 1/2" thick.
3. Place the power supply box to the mounting surface and then secure it to cabinet with two dry wall screws. (Do not over tighten screws). (See Fig. 1)
4. Plug the connector of link cord into the power supply box (the link cord connects light fixture.) Plug the connector of the power cable into power supply box. Place the wall plug into a 120VAC 60HZ outlet. (See Fig.2)



B. Direct Wire Installation:

Turn off the power at fuse or circuit box

1. Remove all plastic plugs from power supply box. (See Fig.1)
2. Find a suitable location to mount the fixture. The mounting surface should be a minimum of 1/2" thickness.
3. Once you have determined the position where the light fixture will be mounted, mark the corresponding knockout closest to your supply wire feed.
CAREFULLY REMOVE THE KNOCKOUT BY HAMMERING A FLATHEAD SCREWDRIVER OR PUNCH UNTIL THE SURFACE BREAKS. Use pliers and bend it back and forth until it snaps off if necessary. (See Fig.3)
4. Follow step 3 of A installation.
5. Unscrew the set screw from power supply box, and then remove the cover of power supply box. (See Fig.4)
6. Attach the die-cast connector (included) by inserting the threaded end through the knockout. Secure the die-cast connector to power supply box by tightening the 1/2" lock nut. (See Fig.5)
7. Attach the conduit to the die-cast connector and tighten the mounting screws on the die-cast connector, so the conduit is gripped securely. Insert the cable through the die-cast connector with at least 6" of cable that extends past the cabinet power supply box. (See Fig.6)
8. Take a white wire and black wire from the power supply box and make wire connections: (See Fig.13)
 - Connect the black wire from the fixture to the black wire from the power source by using connector.
 - Connect the white wire from the fixture to the white wire from the power source by using connector.Carefully put the wires back into the fixture body.



9. Re-attach the cover to power supply box and then secure it with the set screw.

10. Plug the connector of link cord into the power supply box (the link cord connects light fixture.)

Turn on the power at fuse or circuit box