

Stock Code: **20320MG-BL/CLR**

Collection: Magnolia

PRODUCT INFORMATION

Base: 20320 Parent: 20320MG
Mounting Type: Wall UPC: 641594253016
Finish: Black
Diffuser: Clear

PRODUCT MEASUREMENTS

| | |
|------------------|-----------------------------|
| FIXTURE** | BACKPLATE / CANOPY** |
| Length: | Length 1.5" |
| Width: 4.25" | Width: 4.25" |
| Diameter | Diameter: |
| Height: 12.5" | Height: 12.5" |
| Extension: 4.5" | |
| Overall Height: | |

TECHNICAL SPECIFICATIONS

SPECIFICATIONS

Frame Material: Aluminum
 Diffuser Material: Glass
 Lamping Type: E-26 (Incandescent) Jbox: Standard
 Lamping Base: E-26 Lamp Wattage: 60 W
 Lamp Quantity: 1 Total Wattage: 60 W
 Voltage: 120v Lamps Included: No

QUALIFICATIONS

Location Rating Wet
 Certification: ETL (US/Canada) Listed
 ADA Compliant: No Energy Star: No
 JA8 Compliant: No Emergency Lighting: No
 Marine Grade Finish: No
 Warranty**: 1 Year

PHOTOMETRICS

Dimmable: Yes Nominal Lumens: N/A
 CRI: N/A Delivered Lumens: N/A
 CCT: N/A
 Recommended Dimmers:

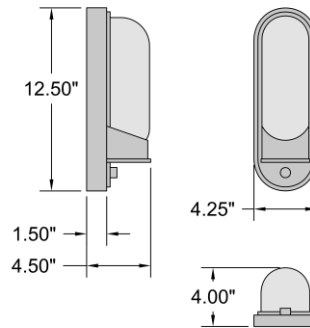
ADDITIONAL NOTES

Frosted or Clear Seedy glass 60 Piece Minimum Order Quantity;
Custom Finish 60 Piece Minimum Order Quantity

Project Name: _____
 Location: _____
 Type: _____
 Quantity: _____
 Notes: _____



LINE DRAWING



IES FILE

In addition to Access Lighting's purchase and warranty terms and conditions, by signing below or placing an order, you agree that you are authorized to bind the entity placing any order and acknowledge the following: All of sizes and measurements are approximate and all images are for illustrative purposes only. In the event of an inconsistency, the "Product Measurements" section controls. There also may be slight differences in the colors and designs compared to the displayed and printed images.

Signature: _____
 Print Name _____ Date: _____

Toll Free 800-828-5483 www.AccessLighting.com
 301 Piedmont Grove Park, Suite A, Greenville, SC 29611



** NOTE: All measurements are rounded up to the 1/4 inch. There is no warranty on any replaceable bulbs, even if included with the fixture.
 Copyright Access Lighting Corp. All information is subject to change without notice. 5/29/2024 20320MG-BL_CLR.pdf